

# SURFACE-MOUNTED TOROIDAL INDUCTORS

## AITC-234 SERIES

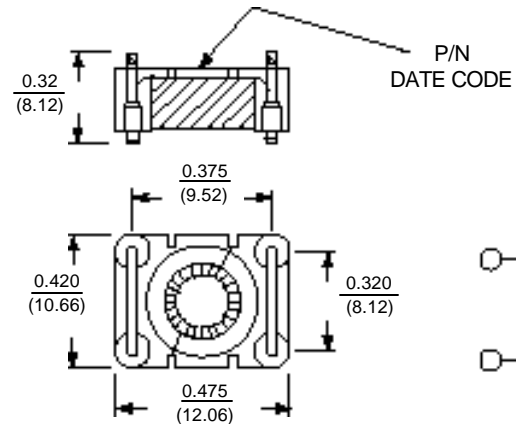
### STANDARD SPECIFICATIONS

Part Number	L <sup>1,2</sup> μH	I <sub>DC</sub> <sup>4</sup> A (MAX)	DCR Ω (MAX)
AITC-234-100	10	2.250	0.05
AITC-234-180	18	2.050	0.06
AITC-234-220	22	1.900	0.07
AITC-234-250	25	1.780	0.08
AITC-234-270	27	1.780	0.08
AITC-234-330	33	1.780	0.12
AITC-234-470	47	1.450	0.20
AITC-234-101	100	1.000	0.30
AITC-234-141	140	1.000	0.38
AITC-234-151	150	0.986	0.42
AITC-234-201	200	0.795	0.75
AITC-234-221	220	0.795	0.85
AITC-234-271	270	0.711	1.15
AITC-234-301	300	0.711	1.35
AITC-234-401	400	0.600	2.40
AITC-234-501	500	0.503	3.00

#### NOTES:

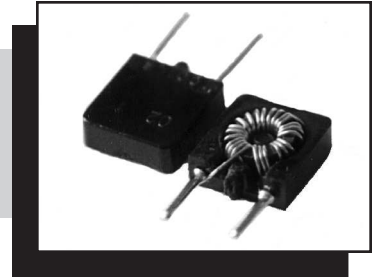
1. Inductance (L) measured @ 100KHz, 100mV at rated current
2. Inductance (L) tolerance: ±15%
3. Operating temperature: -25°C to 85°C
4. Max rated current based on 40°C temperature rise
5. Dimensions: inches / mm; see spec sheet for tolerance limits
6. Specifications subject to change without notice

#### PHYSICAL CHARACTERISTICS <sup>5</sup>



# ENCAPSULATED TOROIDAL INDUCTORS

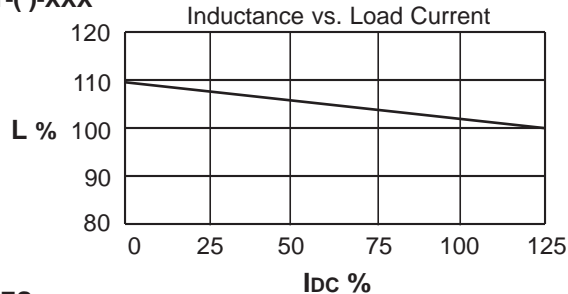
## AICT-LP, -VM and AICT-01 SERIES



### STANDARD SPECIFICATIONS

Part Number <sup>5</sup>	L <sup>1,2</sup> mH	I <sub>dc</sub> <sup>4</sup> A (MAX)	ET V-mS (MAX)	DCR W (MAX)	Part Number	L <sup>1</sup> mH (± 35%)	DCR W (MAX)
AICT-( )-151	150	1.7	80	0.42	AICT-01-10	10	30
AICT-( )-221	220	1.5	90	0.42	AICT-01-20	20	40
AICT-( )-331	330	1.0	100	0.78	AICT-01-30	30	50
AICT-( )-470	470	0.90	120	1.10	AICT-01-40	40	58
AICT-( )-680	680	0.85	175	1.25	AICT-01-50	50	64
AICT-( )-820	820	0.75	175	2.30	AICT-01-60	60	70
AICT-( )-102	1000	0.50	175	2.40	AICT-01-70	70	76

#### AICT-( )-XXX



#### AICT-01-XX

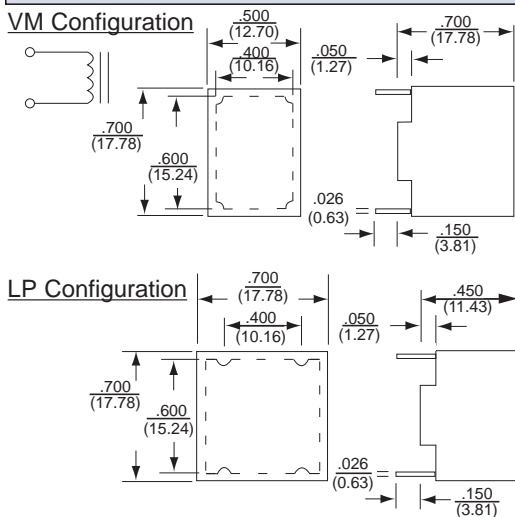
##### NOTES:

1. Inductance (L) measured @ 100KHz, 100mV with 0 DC bias
2. Operating temperature: -25°C to 85°C
3. Dimensions: inches / mm; see spec sheet for tolerance limits
4. Specifications subject to change without notice

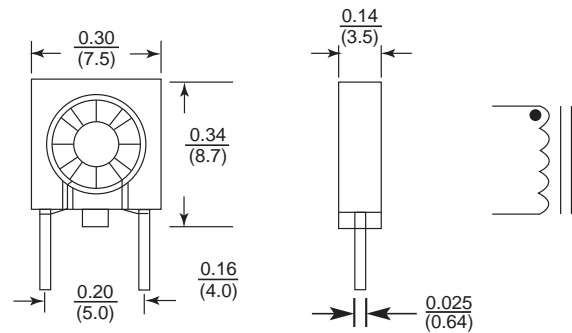
##### NOTES:

1. Inductance (L) measured @ 1.0KHz, 10mV with rated I<sub>dc</sub>
2. Inductance (L) tolerance: ±15%
3. Operating temperature: -30°C to 130°C
4. I<sub>dc</sub> rated for 40°C temperature rise
5. Mounting: Add "VM" or "LP" as suffix
6. Dimensions: inches / mm; see spec sheet for tolerance limits
7. Specifications subject to change without notice

#### PHYSICAL CHARACTERISTICS <sup>6</sup>



#### PHYSICAL CHARACTERISTICS <sup>3</sup>

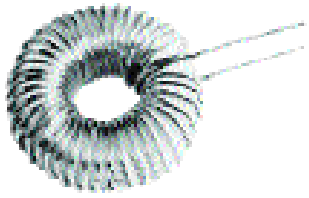


ABRACON IS  
ISO 9001 / QS 9000  
CERTIFIED

29 Journey • Aliso Viejo, CA 92656 • USA  
(949) 448-7070 • Fax: (949) 448-8484

E-MAIL: [abinfo@abracon.com](mailto:abinfo@abracon.com) • INTERNET ADDRESS: [www.abracon.com](http://www.abracon.com)





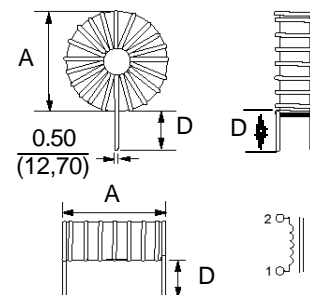
# TOROIDAL POWER INDUCTORS

## AIMT-01 SERIES WITH OPTIONAL MOUNTING

### STANDARD SPECIFICATIONS

Part Number <sup>5</sup> AIMT-01-	L <sup>1,2</sup> μH	I <sub>DC</sub> <sup>4</sup> A (MAX)	DCR Ω (MAX)	Phy. Char		Part Number <sup>5</sup> AIMT-01-	L <sup>1,2</sup> μH	I <sub>DC</sub> <sup>4</sup> A (MAX)	DCR Ω (MAX)	Phy. Char	
				A	D					A	D
5.0-5	5.0	0.50	0.007	0.30(7.5)	0.18(4.5)	110-2	110	2.0	0.069	0.77(19.5)	0.40(10.0)
8.2-2	8.2	2.0	0.017	0.57(14.5)	0.28(7.0)	110-2	110	2.0	0.074	1.00(25.0)	0.40(10.0)
10.0-2	10	2.0	0.013	0.48(12.0)	0.28(7.0)	110-4	110	4.0	0.042	0.93(23.5)	0.44(11.0)
15.0-2	15	2.0	0.023	0.61(15.5)	0.30(7.5)	130-1	130	1.0	0.146	0.75(19.0)	0.35(9.0)
20.0-3	20	3.0	0.021	0.69(17.5)	0.35(9.0)	130-3	130	3.0	0.055	0.91(23.0)	0.41(10.5)
24.0-1	24	1.0	0.055	0.54(13.5)	0.24(6.0)	130-3	130	3.0	0.061	1.14(29.0)	0.51(13.0)
25.0-5	25	5.0	0.016	0.95(24.0)	0.41(10.5)	130-7	130	7.0	0.031	1.62(41.0)	0.67(17.0)
29.0-4	29	4.0	0.020	0.83(21.0)	0.44(11.0)	140-1	140	1.0	0.140	0.60(15.0)	0.30(7.5)
30.0-2	30	2.0	0.035	0.67(17.0)	0.34(8.5)	140-3	140	3.0	0.064	1.10(28.0)	0.57(14.5)
30.0-10	30	10	0.009	1.42(36.0)	0.77(19.5)	150-1	150	1.0	0.159	0.85(21.5)	0.30(7.5)
35.0-3	35	3.0	0.026	0.81(20.5)	0.41(10.5)	150-4	150	4.0	0.053	1.28(32.5)	0.65(16.5)
35.0-10	35	10	0.010	1.42(36.0)	0.77(19.5)	150-5	150	5.0	0.042	1.06(27.0)	0.54(13.5)
43.0-1	43	1.0	0.074	0.57(14.5)	0.28(7.0)	200-2	200	2.0	0.114	1.10(28.0)	0.55(14.0)
43.0-3	43	3.0	0.030	0.91(23.0)	0.38(9.5)	200-3	200	3.0	0.078	1.22(31.0)	0.63(16.0)
50.0-5	50	5.0	0.022	1.05(26.5)	0.50(12.5)	200-5	200	5.0	0.056	1.54(39.0)	0.67(17.0)
60.0-3	60	3.0	0.038	0.71(18.0)	0.40(10.0)	220-1	220	1.0	0.190	0.65(16.5)	0.32(8.0)
68.0-1	68	1.0	0.095	0.54(13.5)	0.26(6.5)	220-4	220	4.0	0.059	1.04(26.5)	0.52(13.0)
68.0-7	68	7.0	0.021	1.34(34.0)	0.71(18.0)	250-10	150	10	0.027	1.67(42.5)	0.85(21.5)
75.0-3	75	3.0	0.039	1.00(25.5)	0.44(11.0)	270-3	270	3.0	0.081	1.02(26.0)	0.50(12.0)
75.0-10	75	10	0.014	1.66(42.0)	0.77(19.5)	300-2	300	2.0	0.142	1.24(31.5)	0.61(15.5)
82.0-3	82	3.0	0.042	0.97(24.5)	0.41(10.5)	300-5	300	5.0	0.064	1.18(30.0)	0.61(15.5)
82.0-5	82	5.0	0.033	1.24(31.5)	0.61(15.5)	390-4	390	4.0	0.088	1.16(29.5)	0.60(15.0)
82.0-7	82	7.0	0.023	1.36(34.5)	0.71(18.0)	450-2	450	2.0	0.174	1.12(28.0)	0.55(14.0)
90.0-3	90	3.0	0.044	0.81(20.5)	0.50(12.5)	500-3	500	3.0	0.124	1.14(29.0)	0.55(14.0)
90.0-5	90	5.0	0.034	1.16(29.5)	0.61(15.5)	680-5	680	5.0	0.105	1.54(39.0)	0.73(18.5)
100-2	100	2.0	0.081	0.67(17.0)	0.35(9.0)	780-2	780	2.0	0.225	1.12(28.5)	0.54(13.5)
100-5	100	5.0	0.033	1.05(26.5)	0.50(12.5)	850-2	850	2.0	0.221	1.28(32.5)	0.65(16.5)
100-5	100	5.0	0.036	1.32(33.5)	0.67(17.0)	960-1	960	1.0	0.438	0.98(25.0)	0.44(11.0)

### PHYSICAL CHARACTERISTICS<sup>6</sup>

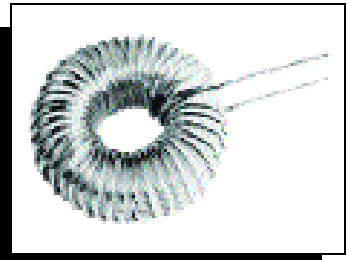


#### NOTES:

1. Inductance (L) measured @ 100 KHz, 100 mVRms with 0 DC bias
2. Inductance (L) tolerance: ±20%
3. Operating temperature: -55°C to +125°C
4. Inductance drops by 15% at max rated current
5. Mounting: Add "V" or "H" as suffix
6. Dimensions: inches / mm; see spec sheet for tolerance limits
7. Specifications subject to change without notice

# TOROIDAL POWER INDUCTORS

## AIMT-02 and ASTC-05,-05P SERIES

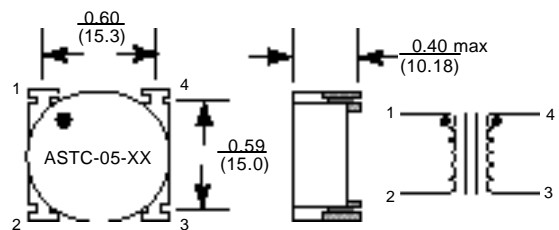


### STANDARD SPECIFICATIONS

Part Number <sup>4</sup>	L <sup>1,2</sup> μH	DCR Ω (MAX)	I <sub>DC</sub> A (MAX)	Lead Diameter <sup>5</sup>
AIMT-02-1R2M	1.2	0.006	10	0.032 (0.8)
AIMT-02-1R5M	1.5	0.006	9.5	0.032 (0.8)
AIMT-02-2R2M	2.2	0.007	9.0	0.032 (0.8)
AIMT-02-2R7M	2.7	0.008	8.4	0.032 (0.8)
AIMT-02-3R3M	3.3	0.008	8.2	0.032 (0.8)
AIMT-02-4R7M	4.7	0.010	7.5	0.032 (0.8)
AIMT-02-5R6M	5.6	0.011	7.3	0.032 (0.8)
AIMT-02-6R8M	6.8	0.011	7.1	0.032 (0.8)
AIMT-02-8R2M	8.2	0.013	6.6	0.032 (0.8)
AIMT-02-100M	10	0.015	6.5	0.032 (0.8)
AIMT-02-120M	12	0.016	6.1	0.032 (0.8)
AIMT-02-180M	18	0.017	5.9	0.032 (0.8)
AIMT-02-220M	22	0.024	5.6	0.029 (0.7)
AIMT-02-270M	27	0.026	4.6	0.029 (0.7)
AIMT-02-330M	33	0.029	4.4	0.029 (0.7)
AIMT-02-390M	39	0.038	4.3	0.025 (0.6)
AIMT-02-470M	47	0.043	3.7	0.025 (0.6)
AIMT-02-560M	56	0.057	3.5	0.023 (0.5)
AIMT-02-680M	68	0.063	3.1	0.023 (0.5)
AIMT-02-820M	82	0.087	3.0	0.020 (0.5)
AIMT-02-101M	100	0.097	2.6	0.020 (0.5)
AIMT-02-121M	120	0.107	2.4	0.020 (0.5)
AIMT-02-151M	150	0.146	2.3	0.018 (0.4)
AIMT-02-181M	180	0.164	1.9	0.018 (0.4)
AIMT-02-221M	220	0.225	1.8	0.016 (0.3)
AIMT-02-271M	270	0.250	1.8	0.016 (0.3)
AIMT-02-331M	330	0.342	1.4	0.014 (0.2)
AIMT-02-391M	390	0.378	1.2	0.014 (0.2)
AIMT-02-471M	470	0.510	1.1	0.013 (0.2)
AIMT-02-561M	560	0.565	0.9	0.013 (0.2)
AIMT-02-681M	680	0.637	0.8	0.013 (0.2)
AIMT-02-821M	820	0.849	0.7	0.013 (0.2)
AIMT-02-402M	1000	0.951	0.7	0.011 (0.1)
AIMT-02-122M	1200	1.298	0.6	0.011 (0.1)
AIMT-02-152M	1500	1.476	0.5	0.010 (0.1)

Part Number <sup>5</sup>	L <sup>1,2</sup> μH	DCR mΩ (MAX)	I <sub>DC</sub> <sup>4,5</sup> A (MAX)
ASTC-05-1	3.30	18	4.5
ASTC-05-2	4.75	24	3.7
ASTC-05-3	6.47	30	3.1
ASTC-05-4	8.45	36	2.7
ASTC-05-5	10.69	42	2.4
ASTC-05-6	13.20	50	2.2
ASTC-05-7	15.97	60	2.0
ASTC-05-8	19.00	70	1.8
ASTC-05-9	22.30	80	1.7
ASTC-05-10	25.87	90	1.6
ASTC-05-11	29.70	120	1.5
ASTC-05-12	33.79	160	1.4

### PHYSICAL CHARACTERISTICS <sup>6</sup>



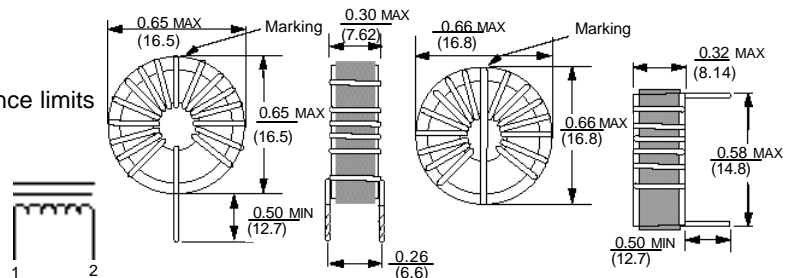
#### NOTES: for ASTC-05

1. Inductance (L) measured @ 100KHz, 100mVRMS with 0 DC bias
2. Inductance (L) tolerance: C ±20%
3. Operating temperature: -40°C to 125°C
4. Inductance drops by 30% at max rated current
5. Short pins #1 to #4, #2 to #3 for 2x I<sub>DC</sub> AND 1/2 DCR; ADD 'P' SUFFIX TO P/N
6. Dimensions: inches / mm; see spec sheet for tolerance limits
7. Specifications subject to change without notice

#### NOTES: for AIMT-02

1. Inductance (L) measured @ 20KHz, 100mVRMS @ rated I<sub>DC</sub>
2. Inductance (L) tolerance: @ ± 20%
3. Operating temperature: -30°C to +130°C
4. Mounting: Add "V", "H" (AIMT-02V-) as suffix
5. Dimensions: inches / mm; see spec sheet for tolerance limits
6. Specifications subject to change without notice

### PHYSICAL CHARACTERISTICS <sup>5</sup>

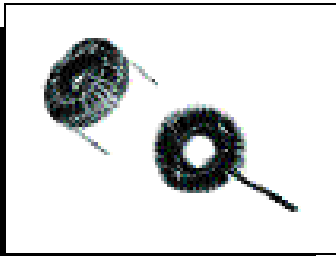


ABRACON IS  
ISO 9001 / QS 9000  
CERTIFIED

29 Journey • Aliso Viejo, CA 92656 • USA  
(949) 448-7070 • Fax: (949) 448-8484

E-MAIL: [abinfo@abracon.com](mailto:abinfo@abracon.com) • INTERNET ADDRESS: [www.abracon.com](http://www.abracon.com)





## TOROIDAL POWER INDUCTORS

### AIPT-92 SERIES WITH OPTIONAL MOUNTING

#### STANDARD SPECIFICATIONS

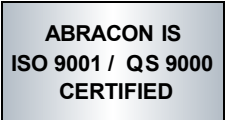
Part Number <sup>4</sup>	L <sup>1,2</sup> ( $\mu$ H)	I <sub>DC</sub> A (MAX)	ET V- $\mu$ S (MIN)	Energy Storage ( $\mu$ J)	DCR $\Omega$ (MAX)	Coil Size <sup>5</sup>	Base Mount Package	Lead Dia. <sup>5</sup>
AIPT-92-20-2.0	20	2.0	52	40	0.060	H	BM1	0.020/0.50
AIPT-92-25-2.6	25	2.6	30	85	0.043	A	BM1	0.020/0.50
AIPT-92-50-2.6	50	2.6	50	169	0.071	B	BM2	0.020/0.50
AIPT-92-100-2.6	100	2.6	90	338	0.100	C	BM3	0.020/0.50
AIPT-92-35-2.6	35	2.6	55	118	0.037	B	BM2	0.025/0.64
AIPT-92-70-3.0	70	3.0	85	315	0.052	C	BM3	0.025/0.64
AIPT-92-150-3.0	150	3.0	140	653	0.087	D	BM4	0.025/0.64
AIPT-92-285-3.0	285	3.0	300	1283	0.140	E	BM5	0.025/0.64
AIPT-92-450-3.0	450	3.0	425	2025	0.200	F	-	0.025/0.64
AIPT-92-100-3.6	100	3.6	130	648	0.045	D	BM4	0.032/0.81
AIPT-92-165-4.0	165	4.0	240	1320	0.070	E	BM5	0.032/0.81
AIPT-92-270-4.0	270	4.0	350	2160	0.100	F	-	0.032/0.81
AIPT-92-40-4.0	40	4.0	70	320	0.027	C	BM3	0.032/0.81
AIPT-92-22-5.0	22	5.0	44	275	0.020	G	-	0.032/0.81
AIPT-92-100-5.0	100	5.0	200	1250	0.034	E	BM5	0.042/1.07
AIPT-92-170-5.0	170	5.0	300	2125	0.050	F	-	0.042/1.07
AIPT-92-55-5.0	55	5.0	100	688	0.023	D	BM4	0.042/1.07
AIPT-92-95-7.0	95	7.0	225	2328	0.025	F	-	0.051/1.30
AIPT-92-55-7.0	55	7.0	150	1348	0.017	E	BM5	0.051/1.30
AIPT-92-55-10.0	55	10.0	175	2750	0.013	F	-	0.064/1.63

**NOTES:**

1. Inductance (L) measured @ 100KHz, 100mVRMS @ rated I<sub>DC</sub>
2. Inductance (L) tolerance: @  $\pm$  20%
3. Operating temperature: -30°C to 130°C
4. Mounting: Add "V", "H" or "B" as suffix
5. Dimensions: inches / mm; see spec sheet for tolerance limits
6. Specifications subject to change without notice

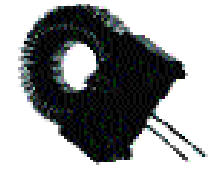
**PHYSICAL CHARACTERISTICS <sup>6</sup>**

See facing page



# TOROIDAL POWER INDUCTORS

## AIPT-92 SERIES WITH OPTIONAL MOUNTING



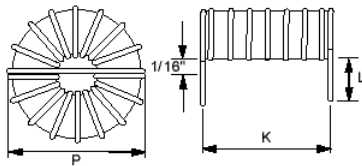
### PHYSICAL CHARACTERISTICS <sup>5</sup>

Base Mount <sup>4</sup>	Dim. <sup>5</sup>	A	B	C	D	E	Coil Size	Dim. <sup>5</sup>	P	N	L	M	K
BM-1	(in.) (mm)	0.340 8.64	0.580 14.73	0.650 16.57	0.29 7.37	0.110 2.79	A	(in.) (mm)	0.55 13.97	0.25 6.35	3.75 9.53	0.180 4.57	0.350 8.90
BM-2	(in.) (mm)	0.450 11.43	0.650 16.51	0.700 17.78	0.325 8.26	0.150 3.91	B	(in.) (mm)	0.70 17.78	0.38 9.65	0.375 9.53	0.280 7.11	0.530 13.46
BM-3	(in.) (mm)	0.450 11.73	0.830 21.03	0.950 24.13	0.415 10.54	0.150 3.91	C	(in.) (mm)	0.85 21.59	0.41 10.41	0.375 9.53	0.280 7.11	0.720 18.29
BM-4	(in.) (mm)	0.600 15.24	0.950 24.13	1.10 27.94	0.475 12.07	0.225 5.72	D	(in.) (mm)	1.05 26.27	0.55 13.97	0.375 9.53	0.400 10.16	0.840 21.24
BM-5	(in.) (mm)	0.700 17.78	1.25 33.02	1.40 35.56	0.625 15.88	0.250 6.35	E	(in.) (mm)	1.40 35.56	0.700 17.78	0.375 9.53	0.500 12.70	1.10 25.65
							F	(in.) (mm)	1.65 41.91	0.700 17.78	0.375 9.53	0.500 12.70	1.35 34.30
							G	(in.) (mm)	0.85 21.59	0.33 8.38	0.875 22.23	0.250 6.40	.730 18.29
							H	(in.) (mm)	0.64 16.26	0.28 7.11	0.875 22.23	0.180 4.57	.530 13.46

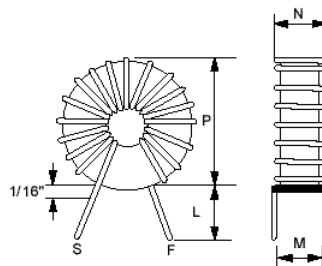
#### NOTES:

1. Inductance (L) measured @ 100KHz, 100mVRMS @ rated I<sub>dc</sub>
2. Inductance (L) tolerance: @ ± 20%
3. Operating temperature: -30°C to 130°C
4. Mounting: Add "V", "H" or "B" as suffix
5. Dimensions: inches / mm; see spec sheet for tolerance limits
6. Specifications subject to change without notice

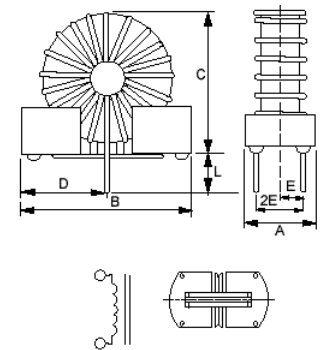
Horizontal



Vertical



Base Mount



Leads tinned to within 0.063/1.60 core/case

ABRACON IS  
ISO 9001 / QS 9000  
CERTIFIED

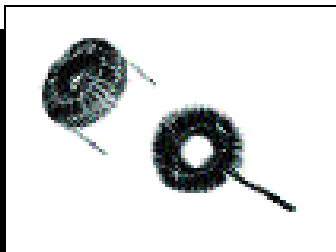
29 Journey • Aliso Viejo, CA 92656 • USA  
(949) 448-7070 • Fax: (949) 448-8484

E-MAIL: [abinfo@abracon.com](mailto:abinfo@abracon.com) • INTERNET ADDRESS: [www.abracon.com](http://www.abracon.com)



# TOROIDAL POWER INDUCTORS

## AIGT-AT SERIES WITH OPTIONAL MOUNTING



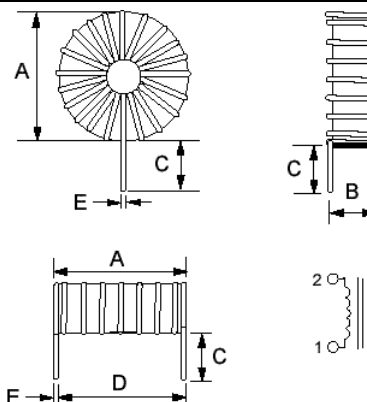
### STANDARD SPECIFICATIONS

Part Number <sup>5</sup>	L <sup>1,2</sup> μH	I <sub>DC</sub> <sup>4</sup> A (MAX)	DCR Ω (MAX)	PHYSICAL CHARACTERISTICS <sup>6</sup>				
				A	B	C	D	E
AIGT-AT-100-3	10	3.0	0.010	0.62 (15.7)	0.25 (6.4)	0.50 (12.7)	0.56 (14.2)	0.036 (0.9)
AIGT-AT-100-6	10	6.0	0.015	0.82 (20.8)	0.32 (8.1)	0.50 (12.7)	0.72 (18.3)	0.046 (1.2)
AIGT-AT-250-2	25	2.0	0.020	0.62 (15.7)	0.25 (6.4)	0.50 (12.7)	0.56 (14.2)	0.032 (0.8)
AIGT-AT-250-4	25	4.0	0.025	0.82 (20.8)	0.32 (8.1)	0.50 (12.7)	0.75 (19.1)	0.040 (1.0)
AIGT-AT-250-6	25	6.0	0.020	1.10 (27.9)	0.37 (9.4)	0.50 (12.7)	1.02 (25.9)	0.051 (1.3)
AIGT-AT-250-10	25	10.0	0.015	1.30 (33.0)	0.56 (14.2)	0.75 (19.1)	1.15 (29.2)	0.064 (1.6)
AIGT-AT-500-1.5	50	1.5	0.030	0.62 (15.7)	0.25 (6.4)	0.50 (12.7)	0.56 (14.2)	0.028 (0.7)
AIGT-AT-500-3	50	3.0	0.035	0.82 (20.8)	0.32 (8.1)	0.50 (12.7)	0.75 (19.1)	0.036 (0.9)
AIGT-AT-500-4.5	50	4.5	0.030	1.10 (27.9)	0.40 (10.2)	0.50 (12.7)	1.02 (25.9)	0.046 (1.2)
AIGT-AT-500-7	50	7.0	0.020	1.30 (33.0)	0.55 (14.0)	0.75 (19.1)	1.20 (30.5)	0.057 (1.4)
AIGT-AT-750-1	75	1.0	0.045	0.62 (15.7)	0.25 (6.4)	0.50 (12.7)	0.56 (14.2)	0.025 (0.6)
AIGT-AT-750-2	75	2.0	0.050	0.82 (20.8)	0.32 (8.1)	0.50 (12.7)	0.75 (19.1)	0.032 (0.8)
AIGT-AT-750-4	75	4.0	0.035	1.10 (27.9)	0.40 (10.2)	0.50 (12.7)	1.02 (25.9)	0.040 (1.0)
AIGT-AT-101-1	100	1.0	0.055	0.62 (15.7)	0.25 (6.4)	0.50 (12.7)	0.56 (14.2)	0.025 (0.6)
AIGT-AT-101-1.5	100	1.5	0.070	0.82 (20.8)	0.32 (8.1)	0.50 (12.7)	0.72 (18.3)	0.028 (0.7)
AIGT-AT-101-3	100	3.0	0.050	1.10 (27.9)	0.40 (10.2)	0.50 (12.7)	1.02 (25.9)	0.036 (0.9)
AIGT-AT-151-5	150	5.0	0.030	1.30 (33.0)	0.56 (14.2)	0.75 (19.1)	1.20 (30.5)	0.051 (1.3)
AIGT-AT-151-1.5	150	1.5	0.120	0.62 (15.7)	0.25 (6.4)	0.50 (12.7)	0.56 (14.2)	0.020 (0.5)
AIGT-AT-151-2	150	2.0	0.100	0.87 (20.8)	0.35 (8.9)	0.50 (12.7)	0.75 (19.1)	0.025 (0.6)
AIGT-AT-151-5	150	5.0	0.070	1.10 (27.9)	0.40 (10.2)	0.50 (12.7)	1.02 (25.9)	0.036 (0.9)
AIGT-AT-251-1.5	250	1.5	0.050	1.30 (33.0)	0.75 (19.1)	0.75 (19.1)	1.20 (30.1)	0.045 (1.1)
AIGT-AT-251-2	250	2.0	0.155	0.85 (21.6)	0.35 (8.9)	0.50 (12.7)	0.75 (19.1)	0.023 (0.5)
AIGT-AT-251-3	250	3.0	0.090	1.15 (29.2)	0.40 (10.2)	0.50 (12.7)	1.02 (25.9)	0.032 (0.8)
AIGT-AT-501-1.5	500	1.5	0.070	1.25 (31.8)	0.56 (14.2)	0.75 (19.1)	1.20 (30.1)	0.040 (1.0)
AIGT-AT-501-2	500	2.0	0.180	1.15 (29.2)	0.40 (10.2)	0.50 (12.7)	1.05 (26.7)	0.028 (0.7)
AIGT-AT-751-1	750	1.0	0.130	1.30 (33.0)	0.56 (14.2)	0.75 (19.1)	1.20 (30.1)	0.032 (0.8)
AIGT-AT-751-2	750	2.0	0.250	1.15 (29.2)	0.40 (10.2)	0.50 (12.7)	1.05 (26.7)	0.025 (0.6)
AIGT-AT-751-1	750	1.0	0.170	1.30 (33.0)	0.60 (15.2)	0.75 (19.1)	1.25 (31.8)	0.032 (0.8)
AIGT-AT-102-1.5	1000	1.5	0.220	1.30 (33.0)	0.60 (15.2)	0.75 (19.1)	1.20 (30.1)	0.028 (0.7)

#### NOTES:

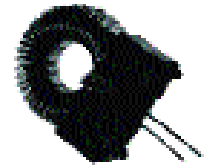
1. Inductance (L) measured @ 100KHz, 100mVRMS with 0 DC bias
2. Inductance (L) tolerance: C ±15%
3. Operating temperature: -55°C to 125°C
4. Inductance drops by 15% at max rated current
5. Mounting: Add "V" or "H" as suffix
6. Dimensions: inches / mm; see spec sheet for tolerance limits
7. Specifications subject to change without notice

#### PHYSICAL CHARACTERISTICS <sup>6</sup>



# TOROIDAL POWER INDUCTORS

## AIGT-10, -20 SERIES



### STANDARD SPECIFICATIONS

Part Number <sup>4</sup> AIGT-10	L <sup>1,2</sup> μH	I <sub>DC</sub> A (MAX)	DCR Ω (MAX)	PHYSICAL CHARACTERISTICS <sup>5</sup>							
				Lead Diameter	N (MAX)	A	B	C	D	E	F
-5-2.5	5	2.5	0.03	0.02 (0.5)	0.25 (6.4)	0.34 (8.6)	0.58 (14.7)	0.64 (16.3)	0.29 (7.4)	0.11 (2.8)	0.25 (6.4)
-25-2.5	25	2.5	0.04	0.02 (0.5)	0.25 (6.4)	0.34 (8.6)	0.58 (14.7)	0.64 (16.3)	0.29 (7.4)	0.11 (2.8)	0.25 (6.4)
-50-2.5	50	2.5	0.07	0.02 (0.5)	0.33 (8.4)	0.45 (11.4)	0.65 (16.5)	0.73 (18.5)	0.32 (8.1)	0.15 (3.8)	0.25 (6.4)
-100-2.5	100	2.5	0.10	0.02 (0.5)	0.34 (8.6)	0.45 (11.4)	0.83 (21.1)	0.94 (23.9)	0.41 (10.4)	0.15 (3.8)	0.25 (6.4)
-35-2.5	35	2.5	0.04	0.02 (0.5)	0.34 (8.6)	0.45 (11.4)	0.65 (16.5)	0.73 (18.5)	0.32 (8.1)	0.15 (3.8)	0.25 (6.4)
-70-3.0	70	3.0	0.05	0.02 (0.5)	0.36 (9.1)	0.45 (11.4)	0.83 (21.1)	0.96 (24.4)	0.41 (10.4)	0.15 (3.8)	0.25 (6.4)
-145-3.0	145	3.0	0.09	0.02 (0.5)	0.47 (11.9)	0.60 (15.2)	0.95 (24.1)	1.06 (26.9)	0.47 (11.9)	0.22 (5.6)	0.25 (6.4)
-285-3.0	285	3.0	0.14	0.02 (0.5)	0.55 (14.0)	0.70 (17.8)	1.25 (31.8)	1.30 (33.0)	0.62 (15.7)	0.25 (6.4)	0.25 (6.4)
-100-3.5	100	3.5	0.04	0.03 (0.8)	0.50 (12.7)	0.60 (15.2)	0.95 (24.1)	1.06 (26.9)	0.47 (11.9)	0.22 (5.6)	0.25 (6.4)
-165-4.0	165	4.0	0.07	0.03 (0.8)	0.56 (14.2)	0.70 (15.2)	1.25 (31.8)	1.33 (33.8)	0.62 (15.7)	0.25 (6.4)	0.25 (6.4)
-40-4.0	40	4.0	0.03	0.03 (0.8)	0.38 (9.7)	0.45 (11.4)	0.83 (21.1)	0.94 (23.9)	0.41 (10.4)	0.15 (3.8)	0.25 (6.4)
-100-5.0	100	5.0	0.04	0.04 (1.0)	0.60 (15.2)	0.70 (17.8)	1.25 (31.8)	1.37 (34.8)	0.62 (15.7)	0.25 (6.4)	0.25 (6.4)
-55-5.0	55	5.0	0.02	0.04 (1.0)	0.51 (13.0)	0.60 (15.2)	0.95 (24.1)	1.07 (27.2)	0.47 (11.9)	0.22 (5.6)	0.25 (6.4)
-55-7.0	55	7.0	0.02	0.05 (1.27)	0.61 (15.5)	0.70 (17.8)	1.25 (31.8)	1.44 (36.6)	0.62 (15.7)	0.25 (6.4)	0.25 (6.4)
-250-10.0	250	10.0	0.20	0.02 (0.5)	0.34 (8.6)	0.45 (11.4)	0.83 (21.1)	0.96 (24.4)	0.41 (10.4)	0.15 (3.8)	0.25 (6.4)

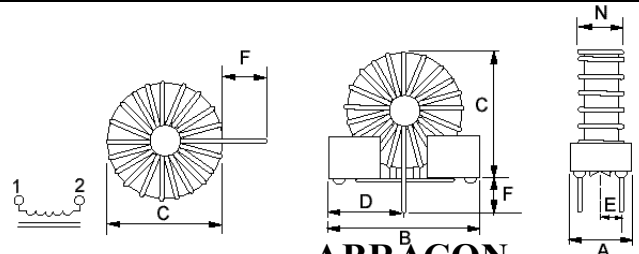
  

Part Number <sup>4</sup> AIGT-20	L μH	I <sub>DC</sub> A (MAX)	DCR Ω (MAX)	PHYSICAL CHARACTERISTICS <sup>5</sup>							
				Lead Diameter	N (MAX)	A	B	C	D	2E	F
-20-1.0	20	1.0	0.062	0.02 (0.5)	0.32 (8.1)	-	-	0.35 (8.9)	-	0.50 (12.7)	0.22 (5.6)
-20-2.0	20	2.0	0.029	0.02 (0.5)	0.46 (11.7)	-	-	0.50 (12.7)	-	0.50 (12.7)	0.24 (6.1)
-20-5.0	20	5.0	0.020	0.03 (0.8)	0.87 (22.1)	-	-	0.94 (23.9)	-	0.50 (12.7)	0.57 (14.5)
-50-1.0	50	1.0	0.061	0.02 (0.5)	0.56 (14.2)	-	-	0.60 (15.2)	-	0.50 (12.7)	0.30 (7.6)
-50-2.0	50	2.0	0.025	0.03 (0.8)	0.78 (19.8)	-	-	0.85 (21.6)	-	0.50 (12.7)	0.45 (11.4)
-50-5.0	50	5.0	0.021	0.04 (1.0)	1.21 (30.7)	-	-	1.25 (31.8)	-	0.50 (12.7)	0.67 (17.0)
-50-7.0	50	7.0	0.013	0.05 (1.27)	1.39 (35.3)	-	-	1.50 (38.1)	-	0.50 (12.7)	0.57 (14.5)
-50-10.0	50	10.0	0.016	0.05 (1.27)	1.69 (42.9)	-	-	1.80 (45.7)	-	0.50 (12.7)	0.70 (17.8)
-100-1.0	100	1.0	0.085	0.02 (0.5)	0.58 (14.7)	-	-	0.62 (15.7)	-	0.50 (12.7)	0.42 (10.7)
-100-2.0	100	2.0	0.040	0.03 (0.8)	0.88 (22.4)	-	-	0.95 (24.1)	-	0.50 (12.7)	0.60 (15.2)
-100-5.0	100	5.0	0.028	0.04 (1.0)	1.42 (36.1)	-	-	1.50 (38.1)	-	0.50 (12.7)	0.57 (14.5)
-150-5.0	150	5.0	0.042	0.04 (1.0)	1.67 (42.4)	-	-	1.75 (24.5)	-	0.50 (12.7)	0.68 (17.3)
-250-1.0	250	1.0	0.168	0.02 (0.5)	0.76 (19.3)	-	-	0.80 (20.3)	-	0.50 (12.7)	0.45 (11.4)
-250-2.0	250	2.0	0.070	0.03 (0.8)	1.18 (30.0)	-	-	1.25 (31.8)	-	0.50 (12.7)	0.67 (17.0)
-500-1.0	500	1.0	0.276	0.02 (0.5)	0.88 (22.4)	-	-	0.92 (23.4)	-	0.50 (12.7)	0.57 (14.5)
-500-2.0	500	2.0	0.147	0.02 (0.5)	1.40 (35.6)	-	-	1.45 (36.8)	-	0.50 (12.7)	0.55 (14.0)

#### NOTES:

1. Inductance (L) measured @ 20KHz, 100mVRMS @ rated I<sub>DC</sub>
2. Inductance (L) tolerance: @ ± 20%
3. Operating temperature: -30°C to 130°C
4. Mounting: Add "V", "H" or "B" as suffix
5. Dimensions: inches / mm; see spec sheet for tolerance limits
6. Specifications subject to change without notice

#### PHYSICAL CHARACTERISTICS<sup>5</sup>



**ABRACON IS  
ISO 9001 / QS 9000  
CERTIFIED**

29 Journey • Aliso Viejo, CA 92656 • USA  
(949) 448-7070 • Fax: (949) 448-8484  
E-MAIL: [abinfo@abracon.com](mailto:abinfo@abracon.com) • INTERNET ADDRESS: [www.abracon.com](http://www.abracon.com)







# SURFACE-MOUNTED TOROIDAL POWER INDUCTORS

## ASTC -01, -02 SERIES

### STANDARD SPECIFICATIONS

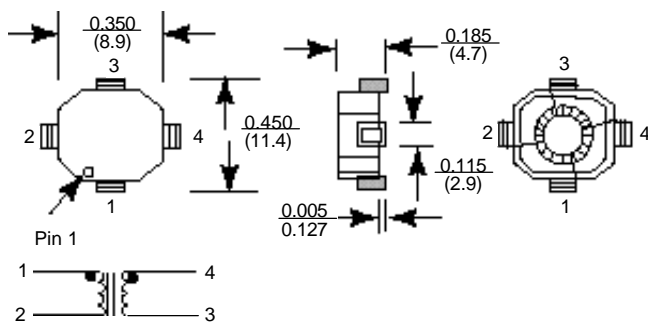
Part Number	L <sup>1,2</sup> μH	DCR <sup>5</sup> mΩ (MAX)	I <sub>DC</sub> <sup>4</sup> A (MAX)	Part Number	L <sup>1,2</sup> μH	DCR <sup>5</sup> mΩ (MAX)	I <sub>DC</sub> <sup>4</sup> A (MAX)
ASTC-01-1	0.42	6	5.50	ASTC-02-1	0.49	5	7.90
ASTC-01-2	0.60	7	5.10	ASTC-02-2	0.76	6	7.20
ASTC-01-3	1.07	8	4.50	ASTC-02-3	1.10	9	5.90
ASTC-01-4	2.02	14	3.40	ASTC-02-4	1.95	14	4.60
ASTC-01-5	4.83	41	2.00	ASTC-02-5	5.15	27	3.30
ASTC-01-6	8.08	52	1.80	ASTC-02-6	7.81	33	3.00
ASTC-01-7	9.62	57	1.70	ASTC-02-7	9.88	47	2.50
ASTC-01-8	15.03	87	1.40	ASTC-02-8	14.76	57	2.30
ASTC-01-9	20.46	159	1.00	ASTC-02-9	20.62	85	1.90
ASTC-01-10	25.40	177	0.96	ASTC-02-10	25.65	116	1.60
ASTC-01-11	32.33	251	0.80	ASTC-02-11	33.21	166	1.30
ASTC-01-12	50.52	316	0.70	ASTC-02-12	48.80	202	1.20
ASTC-01-13	68.40	373	0.66	ASTC-02-13	67.37	238	1.10
ASTC-01-14	99.01	557	0.54	ASTC-02-14	99.09	565	0.72
ASTC-01-15	150.72	844	0.44	ASTC-02-15	149.45	696	0.64
ASTC-01-16	198.41	1208	0.36	ASTC-02-16	200.11	810	0.60
ASTC-01-17	299.87	1525	0.32	ASTC-02-17	298.93	1003	0.54

#### NOTES:

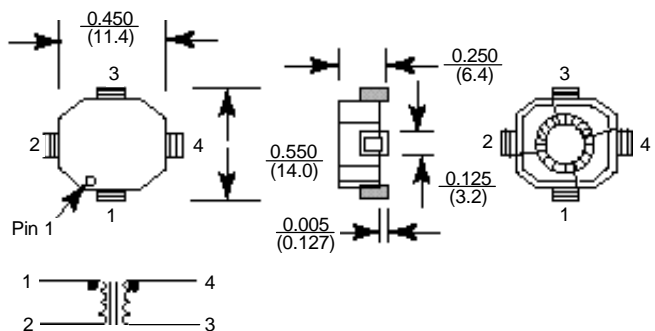
1. Inductance (L) measured @ 100KHz, 0.1V<sub>RMS</sub> at rated I<sub>DC</sub>
2. Inductance (L) tolerance: ±20%
3. Operating temperature: -40°C to 125°C
4. I<sub>DC</sub> measured with windings connected in parallel
5. DCR measured with windings connected in parallel
6. Dimensions: inches / mm; see spec sheet for tolerance limits
7. Specifications subject to change without notice

### PHYSICAL CHARACTERISTICS <sup>6</sup>

#### ASTC-01



#### ASTC-02



# SURFACE-MOUNTED TOROIDAL POWER INDUCTORS

## ASTC -03, -04 SERIES



### STANDARD SPECIFICATIONS

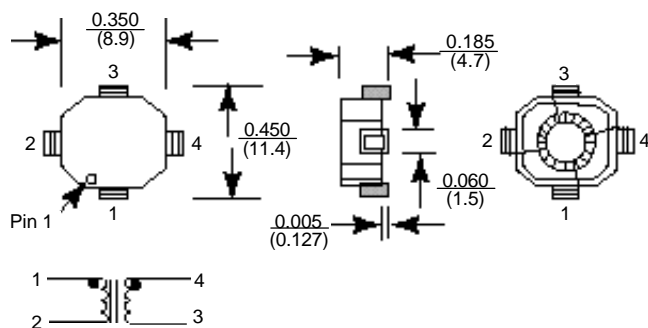
Part Number	L <sup>1,2</sup> μH	DCR <sup>5</sup> mΩ (MAX)	IDC <sup>4</sup> A (MAX)	Part Number	L <sup>1,2</sup> μH	DCR <sup>5</sup> mΩ (MAX)	IDC <sup>4</sup> A (MAX)
ASTC-03-R47	0.40	5	5.50	ASTC-04-R47	0.44	4	7
ASTC-03-R68	0.63	6	4.50	ASTC-04-R68	0.78	5	6
ASTC-03-1	0.90	7	4.20	ASTC-04-1	1.23	5	5
ASTC-03-2	2.03	11	4.10	ASTC-04-2	1.76	7	5.9
ASTC-03-3	4.90	31	2.30	ASTC-04-3	4.9	14	4.4
ASTC-03-4	8.10	40	2.00	ASTC-04-4	8.28	19	3.5
ASTC-03-5	10.00	44	1.90	ASTC-04-5	9.6	20	3.4
ASTC-03-6	14.40	80	1.10	ASTC-04-6	14.16	24	3
ASTC-03-7	19.60	146	1.00	ASTC-04-7	19.6	55	2.1
ASTC-03-8	25.60	167	0.74	ASTC-04-8	25.92	64	2
ASTC-03-9	32.40	293	0.72	ASTC-04-9	33.12	72	1.8
ASTC-03-10	50.63	366	0.64	ASTC-04-10	50.18	111	1.5
ASTC-03-11	67.60	517	0.54	ASTC-04-11	67.08	158	1.2
ASTC-03-12	99.23	785	0.44	ASTC-04-12	99.23	303	0.92
ASTC-03-13	148.23	966	0.38	ASTC-04-13	148.23	372	0.82
ASTC-03-14	202.50	1142	0.37	ASTC-04-14	200.7	545	0.64
ASTC-03-15	302.50	1432	0.22	ASTC-04-15	298.12	672	0.62

#### NOTES:

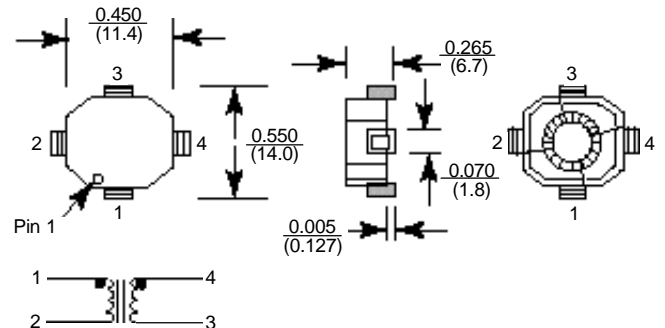
1. Inductance (L) measured @ 100KHz, 0.1VRMS at rated I<sub>DC</sub>
2. Inductance (L) tolerance: ±20%
3. Operating temperature: -40°C to +125°C
4. I<sub>DC</sub> measured with windings connected in parallel
5. DCR measured with windings connected in parallel
6. Dimensions: inches / mm; see spec sheet for tolerance limits
7. Specifications subject to change without notice

### PHYSICAL CHARACTERISTICS <sup>6</sup>

#### ASTC-03



#### ASTC-04



ABRACON IS  
ISO 9001 / QS 9000  
CERTIFIED

29 Journey • Aliso Viejo, CA 92656 • USA  
(949) 448-7070 • Fax: (949) 448-8484  
E-MAIL: [abinfo@abracon.com](mailto:abinfo@abracon.com) • INTERNET ADDRESS: [www.abracon.com](http://www.abracon.com)

